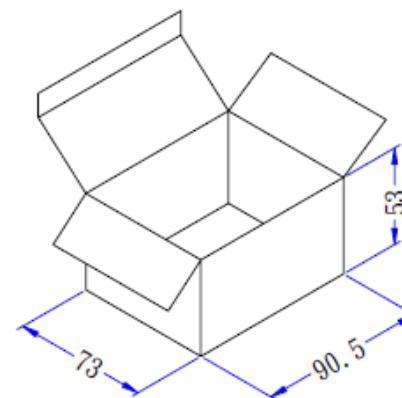


White Inner Box Dimensions:

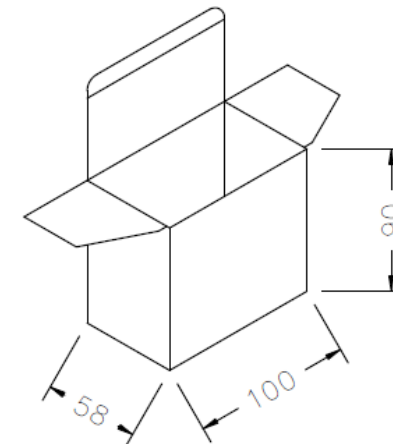
### General Specifications

- Input: 100~240Vac/ 47~63Hz
- Output: +12VDC/0~1500mA Regulated
- Catalog Type: 18W – Interchangeable Wall Mount Series
- DC Cord: 6FT, 18AWG with Ferrite
- Operating/Storage Temperature: 0°C ~+40°C/ -10°C~+70°C
- Operating/Storage Humidity: 20%~80%RH/ 10%~90%RH
- Approvals: UL/CUL/FCC/LPS/PSE/BSMI/CCC/CHINA ROHS/ KC/RCM/TUV/CE/WEEE/ROHS/VI
- DoE Level VI, Energy Star, ErP Stage 2
- Protection: Over Voltage/Short Circuit
- Packaged Unit Weight: 0.46 Lbs.
- Carton Quantity: 60 Pcs (Full Set)
- Interchangeable Input Plugs Sold As A Set Or Individually (Country Specific).

### INDIVIDUAL INTERCHANGEABLE



### FULL SET



|                 |                |   |   |
|-----------------|----------------|---|---|
| <b>ITEM NO.</b> | S-12V0-1A5-P30 | <b>PART TITLE</b>   | Energy Efficient 12 VDC / 1.5A Universal Input Power Supply |
| <b>PART NO.</b> | S6-121A5P      |  <b>CONDOR ELECTRONICS, INC.</b><br>T: 408-745-7141 F: 408-745-0439<br>990 San Antonio Road<br>Palo Alto, CA 94303 USA<br><a href="mailto:sales@condorelectronics.net">sales@condorelectronics.net</a> |   |
| <b>DATE</b>     | 12.15.2015     |   |   |
| <b>APPROVAL</b> | CB             |   |   |
| <b>UNIT</b>     | mm             |   |   |
| <b>REV</b>      | 0              |   |   |

# 18W Level VI – Interchangeable Wall Mount Series

Catalog Page

| Online Part Number | Condor P/N | OUTPUT VOLTAGE | OUTPUT CURRENT | INPUT VOLTAGE | FREQUENCY |
|--------------------|------------|----------------|----------------|---------------|-----------|
| S-5V0-3A0-P30      | S6-053A0P  | 5.0V           | 3.0A           | 100-240VAC    | 50-60Hz   |
| S-9V0-2A0-P30      | S6-092A0P  | 9.0V           | 2.0A           | 100-240VAC    | 50-60Hz   |
| S-12V0-1A5-P30     | S6-121A5P  | 12.0V          | 1.5A           | 100-240VAC    | 50-60Hz   |
| S-15V0-1A2-P30     | S6-151A2P  | 15.0V          | 1.2A           | 100-240VAC    | 50-60Hz   |
| S-18V0-1A0-P30     | S6-181A0P* | 18.0V          | 1.0A           | 100-240VAC    | 50-60Hz   |
| S-20V0-0A9-P30     | S6-200A9P* | 20.0V          | 0.9A           | 100-240VAC    | 50-60Hz   |
| S-24V0-0A7-P30     | S6-240A7P  | 24.0V          | 0.75A          | 100-240VAC    | 50-60Hz   |



\*Build to order items. Similar parts may be available in stock. Call for more details.

## Input

- Voltage: 100~240VAC
- Plug Options: US, Euro, UK, AUS, Korea, China, Argentina
- Line Frequency: 50~60Hz
- Current: 1.2A Max

## Output

- Load Regulation:  $\pm 5\%$  (Typical)
- Ripple: 1~2% Vp-p Max. for Output Voltage @ Full Load
- DC Cord Options: 20AWG / 18AWG / 16AWG
- Ferrite Cord: Yes
- DC Plug Options: Standard and Custom available

## Environmental

- Operating/Storage Temperature: 0°C ~+40°C/ -10°C~+70°C
- Operating/Storage Humidity: 20%~80%RH/ 10%~90%RH

## Electrical

- Dielectric Withstand: 3000VAC Primary – Secondary
- Leakage Current: 0.25mA
- Efficiency: DoE Level VI, Energy Star, ErP Stage 2
- EMI Conduction & Radiation: Compliance to EN 55022 Class B
- Harmonic Current Compliance to EN 61000-3-2,3
- EMS Immunity: Compliance to IEC 61000-4-2,3,4,5,6,8,11

**Full Safety Standard Below**

\* **QUESTIONS ABOUT ANY OF CONDOR'S PRODUCTS PLEASE CALL/EMAIL 408-745-7141/SALES@CONDORELECTRONICS.NET**

# Safety Standards

| Type(Marking) | Country/Region | Standard  |
|---------------|----------------|---|
| UL/CUL        | USA/Canada     | Safety: UL 60950-1  |
|               |                | Safety: CSA C22.2 No 60950-1-07   |
| FCC           | USA            | EMI: FCC Part 15, Subpart B, Class B  |
| CE            | Europe         | In accordance with the council directive 2004/108/EC<br>Adapter Standard: EN61204-3<br>EMI: EN 55022<br>EMS: EN 5502-4<br>ERP 5278/2009                           |
| CCC           | China          | Safety: GB-4946-2001<br>EMI: GB9254-2008  |
|               | China ROHS     | EMS: GB17625.1-2003   |
| PSE           | Japan          | 適用試験基準：電気用品の技術上の基準を定める省令の解釈<br>Applied Standard for Testing: Description of the technical requirements by the METI Ordinance.<br>別表第十二J 60950-1(h26), J55022(H22) |
| GS            | Germany        | Safety: EN 60950-1  |
| RCM           | Australia/     | Safety: SAA – AX/NZS 60950.1<br>EMI: C-TICK – AS/NZD CISPER22   |
| R-MEPS        | New Zealand    | AS/NZS 4665.1:2005/Amd 1:2009 and<br>AS/NZS 4665.2:2005/Amd 1:2009  |
| BSMI          | Taiwan         | Safety: CNS14336-1 (99 年版 )<br>EMI: CNS13438 (95 年版 )   |
| KC            | Korea          | Safety: K-0950-1<br>EMI: K00022   |
| K-MEPS        |                | EMS: K00024<br>KS C IEC 62310   |

