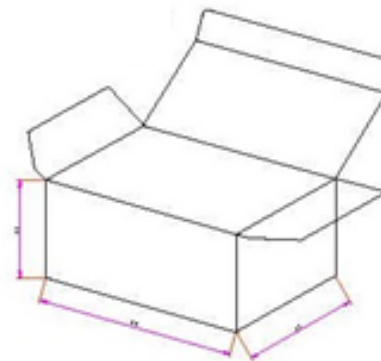


Output Plug and Polarity are Dependent on Customer Requirements

General Specifications

- Input: 100~230Vac/ 50~60Hz
- Output: +12VDC/0~3000mA Regulated
- DC Cord: 4.9 FT, 18 AWG
- Operating/Storage Temperature: 0°C ~+40°C/ -20°C~+80°C
- Operating/Storage Humidity: 5%~90%RH
- Approvals: UL/CUL/FCC/LPS/TUV-GS,BS/CE/RCM/PSE/CCC/IRAM/BRAZIL/WEEE/ROHS/VI
- Meets Energy Efficiency Level VI Standards
- Protection: Over Voltage/Short Circuit
- Packaged Unit Weight: 0.46 lbs
- Carton Quantity: 50 pcs

Inner Box Dimensions:



135 x 70 x 55mm

ITEM NO.	S-12V0-3A0-I2-30	PART TITLE	Energy Efficient 12VDC / 3A 2 Wire Universal Input Power Supply
PART NO.	S6-123A0I-2W	 CONDOR ELECTRONICS, INC. T: 408-745-7141 F: 408-745-0439 990 San Antonio Road Palo Alto, CA 94303 USA sales@condorelectronics.net	
DATE	10.10.2018		
APPROVAL	WES		
UNIT	mm		
REV	0		