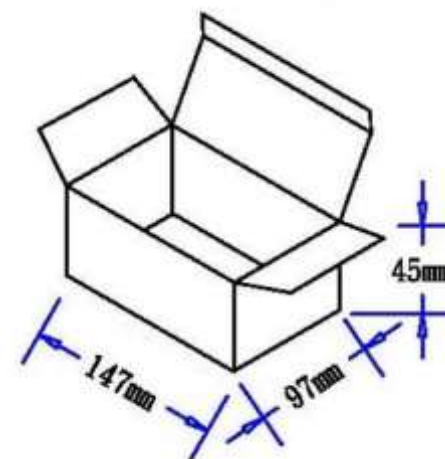



**Output Plug and Polarity are Dependent on Customer Requirements**

### General Specifications

- Input: 100~240Vac/ 47~63Hz
- Output: +12VDC/0~3300mA Regulated
- Catalog Type: 50W – Desktop Series
- DC Cord: 4.9 FT, 18 AWG, With Ferrite
- Operating/Storage Temperature: 0°C ~+40°C/ -20°C~+80°C
- Operating/Storage Humidity: 20%~80%RH/ 10%~90%RH
- M.T.B.F.: 300,000 Hrs. Minimum (25°C Ambient Temp., Full Load)
- Approvals: UL/CUL/FCC/LPS/PSE/BSMI/RCM/CCC/CHINA ROHS/ NRCAN/TUV/CE/WEEE/ROHS/VI
- Meets Energy Efficiency Level VI Standards/ ErP Stage 2
- Protection: Over Voltage/Short Circuit
- Packaged Unit Weight: 0.61 Lbs.
- Carton Quantity: 40 pcs

White Inner Box Dimensions



<b>ITEM NO.</b>	S-12V0-3A3-I2-30	<b>PART TITLE</b>	Energy Efficient 12 VDC /3.3A 2 Wire Universal Input Power Supply
<b>PART NO.</b>	S6-123A3I-2W	 <b>CONDOR ELECTRONICS, INC.</b> T: 408-745-7141 F: 408-745-0439 780 Montague Expy. Ste. 406 San Jose, CA 95131 USA <a href="mailto:sales@condorelectronics.net">sales@condorelectronics.net</a>	
<b>DATE</b>	11.17.2015		
<b>APPROVAL</b>	CB		
<b>UNIT</b>	mm		
<b>REV</b>	0		

# 50W Level VI – Desktop Series

OnLine Part Number	Condor P/N	OUTPUT VOLTAGE	OUTPUT CURRENT	INPUT VOLTAGE	FREQUENCY
S-5V0-10A0-IDG30	S6-0510A0I*	5.0V	10.0A	100-240VAC	50-60Hz
S-9V0-4A0-IDG30	S6-094A0I*	9.0V	4.0A	100-240VAC	50-60Hz
S-9V0-5A0-IDG30	S6-095A0I*	9.0V	5.0A	100-240VAC	50-60Hz
S-12V0-3A3-IDG30	S6-123A3I-2W	12.0V	3.3A	100-240VAC	50-60Hz
S-12V0-4A2-IDG30	SA-124A2IV-2W	12.0V	4.2A	100-240VAC	50-60Hz
S-13V5-3A7-IDG30	S6-1353A7I*	13.5V	3.71A	100-240VAC	50-60Hz
S-15V0-3A34-IDG30	S6-153A3I*	15.0V	3.34A	100-240VAC	50-60Hz
S-18V0-2A7-IDG30	S6-182A7I*	18.0V	2.78A	100-240VAC	50-60Hz
S-19V0-2A64-IDG30	S6-192A6I*	19.0V	2.64A	100-240VAC	50-60Hz
S-24V0-2A1-IDG30	S6-242A1I*	24.0V	2.1A	100-240VAC	50-60Hz
S-48V0-1A05-IDG30	S6-481A05I*	48.0V	1.05A	100-240VAC	50-60Hz



C14 Optional



C6 Optional

\*Build to order items. Similar parts may be available in stock. Call for more details.

## Input

- Voltage: 100~240VAC, C8 Socket (C14, C6 Optional)
- Line Frequency: 50~60Hz
- Current: 1.2A Max

## Output

- Load Regulation:  $\pm 5\%$  (Typical)
- Ripple: 1~2% Vp-p Max. for Output Voltage @ Full Load
- DC Cord: 20AWG / 18AWG / 16AWG
- Ferrite Cord: Yes
- DC Plug Options: Standard and Custom available

## Environmental

- Operating/Storage Temperature: 0°C ~+40°C/ -20°C~+80°C
- Operating/Storage Humidity: 20%~80%RH/ 10%~90%RH

## Electrical

- Topology: Switching Flyback
- Dielectric Withstand: 3000VAC Primary – Secondary
- Leakage Current: 0.25mA
- MTBF: 300,000 Calculated Hours at 25°C
- Efficiency: DoE Level VI, Energy Star, ErP Stage 2, NRCan Certified
- EMI Conduction & Radiation: Compliance to EN 55022 Class B
- Harmonic Current Compliance to EN 61000-3-2,3
- EMS Immunity: Compliance to IEC 61000-4-2,3,4,5,6,8,11

**Full Safety Standard Below**

\* **QUESTIONS ABOUT ANY OF CONDOR'S PRODUCTS PLEASE CALL/EMAIL 408-745-7141/SALES@CONDORELECTRONICS.NET**

# Safety Standards

Type(Marking)	Country/Region	Standard
UL/CUL	USA/Canada	Safety: UL 60950-1
		Safety: CSA C22.2 No 60950-1-07
FCC	USA	EMI: FCC Part 15, Subpart B, Class B
CE	Europe	In accordance with the council directive 2004/108/EC Adapter Standard: EN61204-3 EMI: EN 55022 EMS: EN 5502-4 ERP 5278/2009
CCC	China	Safety: GB-4946-2001 EMI: GB9254-2008 EMS: GB17625.1-2003
PSE	Japan	適用試験基準：電気用品の技術上の基準を定める省令の解釈 Applied Standard for Testing: Description of the technical requirements by the METI Ordinance. 別表第十二J 60950-1(h26), J55022(H22)
GS	Germany	Safety: EN 60950-1
RCM	Australia/	Safety: SAA – AX/NZS 60950.1 EMI: C-TICK – AS/NZD CISPER22
R-MEPS	New Zealand	AS/NZS 4665.1:2005/Amd 1:2009 and AS/NZS 4665.2:2005/Amd 1:2009
BSMI	Taiwan	Safety: CNS14336-1 (99 年版 ) EMI: CNS13438 (95 年版 )

