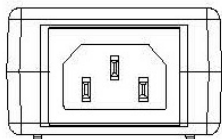
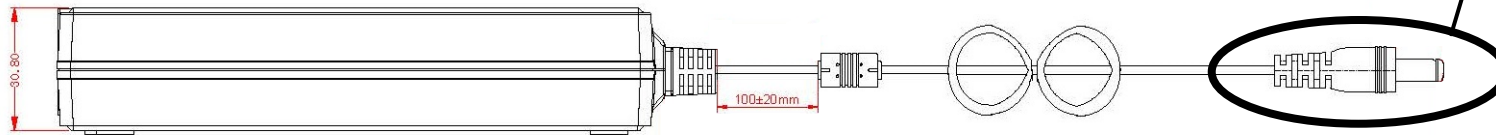


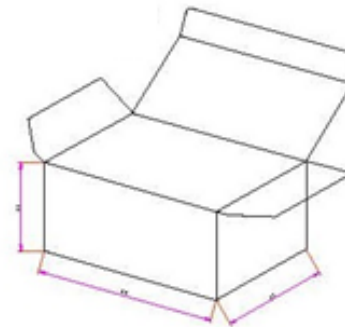
Output Plug and Polarity are Dependent on Customer Requirements




Inner Box Dimensions:

General Specifications

- Input: 100~240Vac/ 50~60Hz
- Output: +12VDC/0~2000mA Regulated
- DC Cord: 3.9 FT, 16 AWG
- Operating/Storage Temperature: 0°C ~+35°C/ -20°C~+85°C
- Operating/Storage Humidity: 5%~90%RH
- Approvals: UL/CUL/FCC/TUV-GS,BS/CE/RCM/PSE/CCC/IRAM/WEEE/ROHS/VI
- Meets Energy Efficiency Level VI Standards
- Protection: Over Voltage/Over Current/Short Circuit
- Packaged Unit Weight: 1.0 lbs
- Carton Quantity: 30 pcs



186 x 72 x 63mm

ITEM NO.	S-12V0-8A0-IDG30	PART TITLE	Energy Efficient 12 VDC / 8A Universal Input Power Supply
PART NO.	S6-128A0I	 CONDOR ELECTRONICS, INC. T: 408-745-7141 F: 408-745-0439 990 San Antonio Road Palo Alto, CA 94303 USA sales@condorelectronics.net	
DATE	10.24.2018		
APPROVAL	WES		
UNIT	mm		
REV	0		