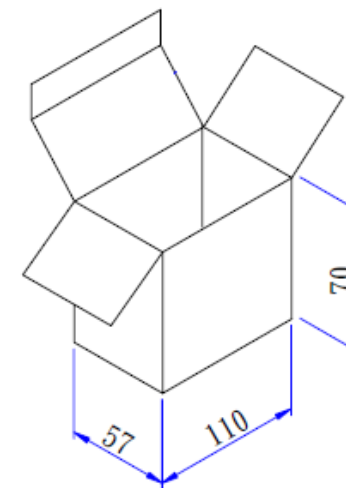


Output Plug and Polarity are Dependent on Customer Requirements

General Specifications

- Input: 100~240Vac/ 47~63Hz
- Output: +15VDC/0~1200mA Regulated
- DC Cord: 5FT, 20AWG
- Operating/Storage Temperature: 0°C ~+40°C/ -20°C~+70°C
- Operating/Storage Humidity: 20%~80%RH/10%~90%RH
- M.T.B.F.: 50,000 Hrs. Minimum (25°C Ambient Temp., Full Load)
- Approvals: **UL/CUL/FCC/LPS/PSE/RCM/TUV/CE/WEEE/ROHS/VI**
- Meets Energy Efficiency Level VI Standards
- Protection: Over Voltage/Short Circuit
- Packaged Unit Weight: .40 Lbs
- Carton Quantity: 60 pcs

Inner Box Dimensions



ITEM NO.	S-15V0-1A2-IDG30	PART TITLE	Energy Efficient 15 VDC / 1.2A Universal Input Power Supply
PART NO.	S6-151A2I	 CONDOR ELECTRONICS, INC. T: 408-745-7141 F: 408-745-0439 990 San Antonio Road Palo Alto, CA 94303 USA sales@condorelectronics.net	
DATE	01.09.17		
APPROVAL	WS		
UNIT	mm		
REV	0		