

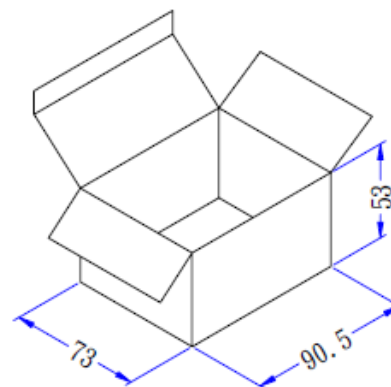
Output Plug and Polarity are Dependent on Customer Requirements

General Specifications

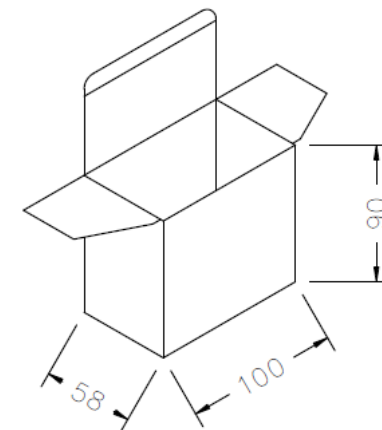
- Input: 100~240Vac/ 47~63Hz
- Output: +15VDC/0~400mA Regulated
- Catalog Type: 18W – Interchangeable Wall Mount Series
- DC Cord: 5FT, 20AWG with Ferrite
- Operating/Storage Temperature: 0°C ~+40°C/ -10°C~+70°C
- Operating/Storage Humidity: 20%~80%RH/ 10%~90%RH
- Approvals: UL/CUL/FCC/LPS/PSE/BSMI/CCC/CHINA ROHS/RCM/TUV/CE/WEEE/ROHS/VI
- Meets Energy Efficiency Level VI Standards
- Protection: Over Voltage/Short Circuit
- Packaged Unit Weight: 0.46 lbs.
- Carton Quantity: 60 pcs (Full Set)
- Interchangeable Input Plugs Available As A Set Or Sold Individually (Country Specific)

White Inner Box Dimensions:

INDIVIDUAL INTERCHANGEABLE



FULL SET



ITEM NO.	S-15V0-1A2-P30	PART TITLE	Energy Efficient 15 VDC / 1.2A Universal Input Power Supply
PART NO.	S6-151A2P	 CONDOR ELECTRONICS, INC. T: 408-745-7141 F: 408-745-0439 780 Montague Expy. Ste. 406 San Jose, CA 95131 USA sales@condorelectronics.net	
DATE	12.15.2015		
APPROVAL	CB		
UNIT	mm		
REV	0		

18W Level VI – Interchangeable Wall Mount Series

Catalog Page

Online Part Number	Condor P/N	OUTPUT VOLTAGE	OUTPUT CURRENT	INPUT VOLTAGE	FREQUENCY
S-5V0-3A0-P30	S6-053A0P	5.0V	3.0A	100-240VAC	50-60Hz
S-9V0-2A0-P30	S6-092A0P	9.0V	2.0A	100-240VAC	50-60Hz
S-12V0-1A5-P30	S6-121A5P	12.0V	1.5A	100-240VAC	50-60Hz
S-15V0-1A2-P30	S6-151A2P	15.0V	1.2A	100-240VAC	50-60Hz
S-18V0-1A2-P30	S6-181A2P*	18.0V	1.2A	100-240VAC	50-60Hz
S-20V0-0A9-P30	S6-200A9P*	20.0V	0.9A	100-240VAC	50-60Hz
S-24V0-0A7-P30	S6-240A7P	24.0V	0.75A	100-240VAC	50-60Hz



*Build to order items. Similar parts may be available in stock. Call for more details.

Input

- Voltage: 100~240VAC
- Plug Options: US, Euro, UK, AUS, Korea, China, Argentina
- Line Frequency: 50~60Hz
- Current: 1.2A Max

Output

- Load Regulation: $\pm 5\%$ (Typical)
- Ripple: 1~2% Vp-p Max. for Output Voltage @ Full Load
- DC Cord Options: 20AWG / 18AWG / 16AWG
- Ferrite Cord: Yes
- DC Plug Options: Standard and Custom available

Environmental

- Operating/Storage Temperature: 0°C ~+40°C/ -10°C~+70°C
- Operating/Storage Humidity: 20%~80%RH/ 10%~90%RH

Electrical

- Dielectric Withstand: 3000VAC Primary – Secondary
- Leakage Current: 0.25mA
- Efficiency: DoE Level VI, Energy Star, ErP Stage 2
- EMI Conduction & Radiation: Compliance to EN 55022 Class B
- Harmonic Current Compliance to EN 61000-3-2,3
- EMS Immunity: Compliance to IEC 61000-4-2,3,4,5,6,8,11

Full Safety Standard Below

* QUESTIONS ABOUT ANY OF CONDOR'S PRODUCTS PLEASE CALL/EMAIL 408-745-7141/SALES@CONDORELECTRONICS.NET

Safety Standards

Type(Marking)	Country/Region	Standard
UL/CUL	USA/Canada	Safety: UL 60950-1
		Safety: CSA C22.2 No 60950-1-07
FCC	USA	EMI: FCC Part 15, Subpart B, Class B
CE	Europe	In accordance with the council directive 2004/108/EC Adapter Standard: EN61204-3 EMI: EN 55022 EMS: EN 5502-4 ERP 5278/2009
CCC	China	Safety: GB-4946-2001
	China ROHS	EMI: GB9254-2008 EMS: GB17625.1-2003
PSE	Japan	適用試験基準：電気用品の技術上の基準を定める省令の解釈 Applied Standard for Testing: Description of the technical requirements by the METI Ordinance. 別表第十二J 60950-1(h26), J55022(H22)
GS	Germany	Safety: EN 60950-1
RCM	Australia/	Safety: SAA – AX/NZS 60950.1
R-MEPS	New Zealand	EMI: C-TICK – AS/NZD CISPER22 AS/NZS 4665.1:2005/Amd 1:2009 and AS/NZS 4665.2:2005/Amd 1:2009
BSMI	Taiwan	Safety: CNS14336-1 (99 年版) EMI: CNS13438 (95 年版)

