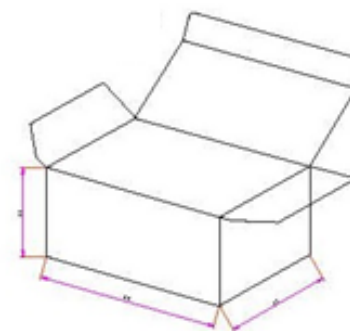


Output Plug and Polarity are Dependent on Customer Requirements


### General Specifications

- Input: 100~240Vac/ 50~60Hz
- Output: +15VDC/0~430mA Regulated
- DC Cord: 4.9 FT, 18 AWG
- Operating/Storage Temperature: 0°C ~+40°C/ -20°C~+80°C
- Operating/Storage Humidity: 5%~90%RH
- Approvals: UL/CUL/FCC/LPS/TUV-GS,BS/CE/RCM/EAC/PSE/KC/CCC/IRAM/BRAZIL/WEEE/ROHS/VI
- Meets Energy Efficiency Level VI Standards
- Protection: Over Voltage/Short Circuit
- Packaged Unit Weight: 0.60 lbs
- Carton Quantity: 48 pcs

### Inner Box Dimensions:



**140 x 65 x 60mm**

<b>ITEM NO.</b>	S-15V0-4A3-I2-30	<b>PART TITLE</b>	Energy Efficient 15VDC / 4.3 A 2 Wire Universal Input Power Supply
<b>PART NO.</b>	S6-154A3I-2W	 <b>CONDOR ELECTRONICS, INC.</b> T: 408-745-7141 F: 408-745-0439 990 San Antonio Road Palo Alto, CA 94303 USA <a href="mailto:sales@condorelectronics.net">sales@condorelectronics.net</a>	
<b>DATE</b>	10.15.2018		
<b>APPROVAL</b>	WES		
<b>UNIT</b>	mm		
<b>REV</b>	0		