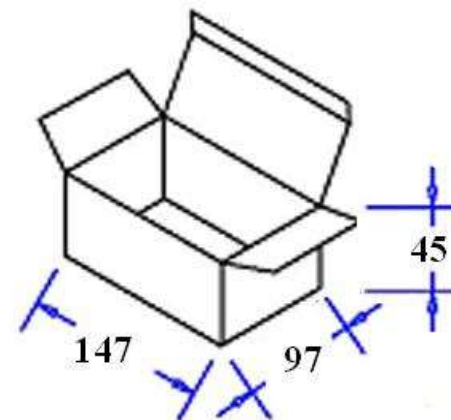


**Output Plug and Polarity are Dependent on Customer Requirements**

### General Specifications

- Input: 100~240Vac/ 47~63Hz
- Output: +15VDC/0~4300mA Regulated
- Catalog Type: 65W – Desktop Series
- DC Cord: 4.9FT, 16AWG with Ferrite
- Operating/Storage Temperature: 0°C ~+40°C/ -20°C~+80°C
- Operating/Storage Humidity: 20%~80%RH/10%~90%RH
- M.T.B.F.: 300,000 Hrs. Minimum (25°C Ambient Temp., Full Load)
- Approvals: UL/CUL/FCC/LPS/PSE/BSMI/CCC/CHINA ROHS/NRCAN/RCM/TUV/CE/WEEE/ROHS/VI
- Meets Energy Efficiency Level VI Standards/ ErP Stage 2
- Protection: Over Voltage/Short Circuit/Over Current
- Packaged Unit Weight: 0.68 Lbs.
- Box Quantity: 40 pcs

White Inner Box Dimensions



|                 |                  |   |   |
|-----------------|------------------|---|---|
| <i>ITEM NO.</i> | S-15V0-4A3-IDG30 | <i>PART TITLE</i>   | Energy Efficient 15 VDC / 4.3A Universal Input Power Supply |
| <i>PART NO.</i> | S6-154A3I        |  <b>CONDOR ELECTRONICS, INC.</b><br>T: 408-745-7141 F: 408-745-0439<br>780 Montague Expy. Ste. 406<br>San Jose, CA 95131 USA<br><a href="mailto:sales@condorelectronics.net">sales@condorelectronics.net</a> |   |
| <i>DATE</i>     | 12.16.2015       |   |   |
| <i>APPROVAL</i> | CB               |   |   |
| <i>UNIT</i>     | mm               |   |   |
| <i>REV</i>      | 0                |   |   |

# 65W Level VI – Desktop Series

| OnLine Part Number | Condor P/N  | OUTPUT VOLTAGE | OUTPUT CURRENT | INPUT VOLTAGE | FREQUENCY |
|--------------------|-------------|----------------|----------------|---------------|-----------|
| S-12V0-5A0-IDG30   | S6-125A0I   | 12.0V          | 5.00A          | 100-240VAC    | 50-60Hz   |
| S-13V5-4A8-IDG30   | S6-134A8I   | 13.5V          | 4.82A          | 100-240VAC    | 50-60Hz   |
| S-15V0-4A3-IDG30   | S6-154A3I   | 15.0V          | 4.34A          | 100-240VAC    | 50-60Hz   |
| S-16V0-4A07-IDG30  | S6-164A07I* | 16.0V          | 4.07A          | 100-240VAC    | 50-60Hz   |
| S-18V0-3A6-IDG30   | S6-183A6I   | 18.0V          | 3.62A          | 100-240VAC    | 50-60Hz   |
| S-19V0-3A4-IDG30   | S6-193A4I   | 19.0V          | 3.43A          | 100-240VAC    | 50-60Hz   |
| S-20V0-3A2-IDG30   | S6-203A2I*  | 20.0V          | 3.25A          | 100-240VAC    | 50-60Hz   |
| S-24V0-3A0-IDG30   | S6-243A0I*  | 24.0V          | 3.00A          | 100-240VAC    | 50-60Hz   |
| S-24V0-2A7-IDG30   | S6-242A7I   | 24.0V          | 2.71A          | 100-240VAC    | 50-60Hz   |
| S-30V0-2A1-IDG30   | S6-302A1I*  | 30.0V          | 2.17A          | 100-240VAC    | 50-60Hz   |
| S-32V0-2A04-IDG30  | S6-322A04I* | 32.0V          | 2.04A          | 100-240VAC    | 50-60Hz   |
| S-48V0-1A36-IDG30  | S6-481A36I  | 48.0V          | 1.36A          | 100-240VAC    | 50-60Hz   |
| S-56V0-1A1-IDG30   | S6-561A1I*  | 56.0V          | 1.17A          | 100-240VAC    | 50-60Hz   |



\*Build to order items. Similar parts may be available in stock. Call for more details.

## Input

- Voltage: 100~240VAC, C14 Socket Standard (C6, C8 Optional)
- Line Frequency: 50~60Hz
- Current: 1.2A Max

## Output

- Load Regulation:  $\pm 5\%$  (Typical)
- Ripple: 1~2% Vp-p Max. for Output Voltage @ Full Load
- DC Cord: 20AWG / 18AWG / 16AWG
- Ferrite Cord: Yes
- DC Plug Options: Standard and Custom available

## Environmental

- Operating/Storage Temperature: 0°C ~+40°C/ -20°C~+80°C
- Operating/Storage Humidity: 20%~80%RH/ 10%~90%RH

## Electrical

- Topology: Switching Flyback
- Dielectric Withstand: 3000VAC Primary – Secondary
- Leakage Current: 0.25mA
- MTBF: 300,000 Calculated Hours at 25°C
- Efficiency: DoE Level VI, Energy Star, ErP Stage 2, NRCan Certified
- EMI Conduction & Radiation: Compliance to EN 55022 Class B
- Harmonic Current Compliance to EN 61000-3-2,3
- EMS Immunity: Compliance to IEC 61000-4-2,3,4,5,6,8,11

**Full Safety Standard Below**

\* **QUESTIONS ABOUT ANY OF CONDOR'S PRODUCTS PLEASE CALL/EMAIL 408-745-7141 / SALES@CONDORELECTRONICS.NET**

# Safety Standards

| Type(Marking) | Country/Region            | Standard   |
|---------------|---------------------------|--|
| UL/CUL        | USA/Canada                | Safety: UL 60950-1   |
|               |                           | Safety: CSA C22.2 No 60950-1-07  |
| FCC           | USA                       | EMI: FCC Part 15, Subpart B, Class B   |
| CE            | Europe                    | In accordance with the council directive 2004/108/EC<br>Adapter Standard: EN61204-3<br>EMI: EN 55022<br>EMS: EN 5502-4<br>ERP 5278/2009                          |
| CCC           | China                     | Safety: GB-4946-2001<br>EMI: GB9254-2008<br>EMS: GB17625.1-2003  |
| PSE           | Japan                     | 適用試験基準：電気用品の技術上の基準を定める省令の解釈<br>Applied Standard for Testing: Description of the technical requirements by the<br>METI Ordinance. 別表第十二 60950-1(h26), J55022(H22) |
| GS            | Germany                   | Safety: EN 60950-1   |
| RCM           | Australia/<br>New Zealand | Safety: SAA – AX/NZS 60950.1<br>EMI: C-TICK – AS/NZD CISPER22  |
| R-MEPS        |                           | AS/NZS 4665.1:2005/Amd 1:2009 and<br>AS/NZS 4665.2:2005/Amd 1:2009   |
| BSMI          | Taiwan                    | Safety: CNS14336-1 (99 ) 年版<br>EMI: CNS13438 (95 ) 年版  |

