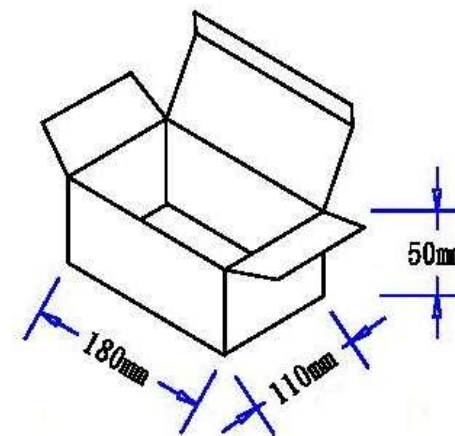



Output Plug and Polarity are Dependent on Customer Requirements

Inner Box Dimensions



General Specifications

- Input: 100~240Vac/ 50~60Hz
- Output: +15VDC/0~6000mA Regulated
- Catalog Type: 90W – Desktop Series
- DC Cord: 5 FT, 16 AWG
- Operating/Storage Temperature: 0°C ~+40°C/ -20°C~+80°C
- Operating/Storage Humidity: 10%~90%RH
- Approvals: UL/CUL/FCC/LPS/BSMI/PSE/CCC/RCM/GS/KC MARK/EAC/CE /WEEE/NRCAN/VI
- Meets Energy Efficiency Level VI Standards
- Protection: Over Voltage/Short Circuit
- Packaged Unit Weight: 1.02 lbs
- Carton Quantity: 24 pcs

ITEM NO.	S-15V0-6A0-IDG30	PART TITLE	Energy Efficient 15 VDC / 6.0A Universal Input Power Supply
PART NO.	S6-156A0I	 <b>CONDOR ELECTRONICS, INC.</b> T: 408-745-7141 F: 408-745-0439 780 Montague Expy. Ste. 406 San Jose, CA 95131 USA <a href="mailto:sales@condorelectronics.net">sales@condorelectronics.net</a>	
DATE	07.01.2016		
APPROVAL	TN		
UNIT	mm		
REV	1		

# 90W Level VI – Desktop Series

OnLine Part Number	Condor P/N	OUTPUT VOLTAGE	OUTPUT CURRENT	INPUT VOLTAGE	FREQUENCY
S-12V0-7A0-IDG30	S6-127A0I	12.0V	7.0A	100-240VAC	50-60Hz
S-15V0-6A0-IDG30	S6-156A0I*	15.0V	6.0A	100-240VAC	50-60Hz
S-16V0-5A6-IDG30	S6-165A6I*	16.0V	5.63A	100-240VAC	50-60Hz
S-18V0-5A0-IDG30	S6-185A0I*	18.0V	5.0A	100-240VAC	50-60Hz
S-19V0-4A7-IDG30	S6-194A7I	19.0V	4.74A	100-240VAC	50-60Hz
S-20V0-4A5-IDG30	S6-204A5I*	20.0V	4.5A	100-240VAC	50-60Hz
S-24V0-3A75-IDG30	S6-243A75I	24.0V	3.75A	100-240VAC	50-60Hz
S-30V0-3A0-IDG30	S6-303A0I*	30.0V	3.0A	100-240VAC	50-60Hz
S-48V0-1A8-IDG30	S6-481A8I*	48.0V	1.88A	100-240VAC	50-60Hz



\*Build to order items. Similar parts may be available in stock. Call for more details.

## Input

- Voltage: 100~240VAC, C14 Socket (C6 Optional)
- Line Frequency: 50~60Hz
- Current: 1.2A Max

## Output

- Load Regulation:  $\pm 5\%$  (Typical)
- Ripple: 1~2% Vp-p Max. for Output Voltage @ Full Load
- DC Cord: 20AWG / 18AWG / 16AWG
- Ferrite Cord: Yes
- DC Plug Options: Standard and Custom available

## Environmental

- Operating/Storage Temperature: 0°C ~+40°C/ -20°C~+80°C
- Operating/Storage Humidity: 20%~80%RH/ 10%~90%RH

## Electrical

- Topology: Switching Flyback
- Dielectric Withstand: 3000VAC Primary – Secondary
- Leakage Current: 0.25mA
- MTBF: 300,000 Calculated Hours at 25°C
- Efficiency: DoE Level VI, Energy Star, ErP Stage 2, NRCan Certified
- EMI Conduction & Radiation: Compliance to EN 55022 Class B
- Harmonic Current Compliance to EN 61000-3-2,3
- EMS Immunity: Compliance to IEC 61000-4-2,3,4,5,6,8,11

\* QUESTIONS ABOUT ANY OF CONDOR'S PRODUCTS PLEASE CALL/EMAIL 408-745-7141/SALES@CONDORELECTRONICS.NET

# Safety Standards

Type(Marking)	Country/Region	Standard
UL/CUL	USA/Canada	Safety: UL 60950-1
		Safety: CSA C22.2 No 60950-1-07
FCC	USA	EMI: FCC Part 15, Subpart B, Class B
CE	Europe	In accordance with the council directive 2004/108/EC Adapter Standard: EN61204-3 EMI: EN 55022 EMS: EN 5502-4 ERP 5278/2009
CCC	China	Safety: GB-4946-2001 EMI: GB9254-2008 EMS: GB17625.1-2003
PSE	Japan	適用試験基準：電気用品の技術上の基準を定める省令の解釈 Applied Standard for Testing: Description of the technical requirements by the METI Ordinance. 別表第十二J 60950-1(h26), J55022(H22)
KC	Korea	Safety: K-60950-1
K-MEPS		EMI: K00022 EMS: 500024 KS C IEC 62310
GS	Germany	Safety: EN 60950-1
EAC	Russia, Belarus, Kazakhstan	Safety: TP TC 004/2011 EMC: TP TC 020/2011
RCM	Australia/	Safety: SAA – AX/NZS 60950.1 EMI: C-TICK – AS/NZD CISPER22
R-MEPS	New Zealand	AS/NZS 4665.1:2005/Amd 1:2009 and AS/NZS 4665.2:2005/Amd 1:2009
BSMI	Taiwan	Safety: CNS14336-1 (99 年版 ) EMI: CNS13438 (95 年版 )

