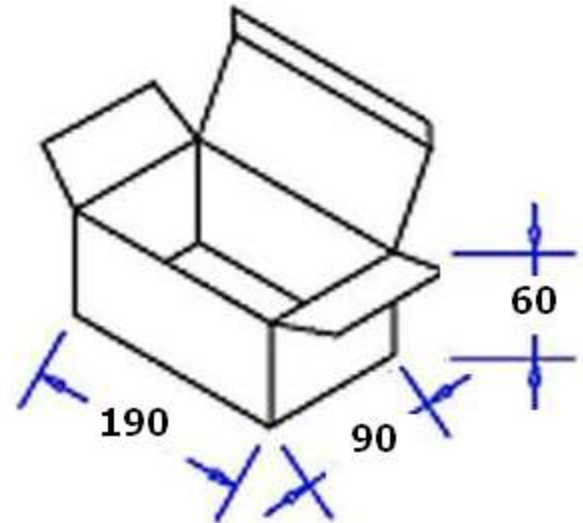


**Output Plug and Polarity are Dependent on Customer Requirements**



White Inner Box Dimensions



**General Specifications**

- Input: 100~240Vac/ 47~63Hz
- Output: +18VDC/0~11000mA Regulated
- DC Cord: 4.9FT, 16AWG
- Operating/Storage Temperature: 0°C ~+40°C/ -20°C~+60°C
- Operating/Storage Humidity: 20%~80%RH/10%~90%RH
- M.T.B.F.: 300,000 Hrs. Minimum (25°C Ambient Temp., Full Load)
- Approvals: UL/CUL/FCC/PSE/BSMI/TUV/WEEE/ROHS/VI
- Meets Energy Efficiency Level VI Standards/ ErP Stage 2
- Protection: Over Voltage/Short Circuit/Over Current/Over Temperature
- Packaged Unit Weight: 1.82 lbs

<b>ITEM NO.</b>	S-18V0-11A0-IDG30	<b>PART TITLE</b>	Energy Efficient 18 VDC / 11.0A Universal Input Power Supply
<b>PART NO.</b>	S6-1811A0I	 <b>CONDOR ELECTRONICS, INC.</b> T: 408-745-7141 F: 408-745-0439 990 San Antonio Road Palo Alto, CA 94303 USA <a href="mailto:sales@condorelectronics.net">sales@condorelectronics.net</a>	
<b>DATE</b>	1.29.2016		
<b>APPROVAL</b>	CB		
<b>UNIT</b>	mm		
<b>REV</b>	0		

# 200W Level VI – Desktop Series

OnLine Part Number	Condor P/N	OUTPUT VOLTAGE	OUTPUT CURRENT	INPUT VOLTAGE	FREQUENCY
S-12V0-16A0-IDG30	S6-1216A0I	12.0V	16.0A	100-240VAC	50-60Hz
S-13V5-14A0-IDG30	S6-1314A0I*	13.5V	14.0A	100-240VAC	50-60Hz
S-18V0-11A0-IDG30	S6-1811A0I*	18.0V	11.0A	100-240VAC	50-60Hz
S-19V0-10A5-IDG30	S6-1910A5I*	19.0V	10.5A	100-240VAC	50-60Hz
S-20V0-10A0-IDG30	S6-2010A0I*	20.0V	10.0A	100-240VAC	50-60Hz
S-24V0-8A3-IDG30	S6-248A3I	24.0V	8.3A	100-240VAC	50-60Hz
S-48V0-4A2-IDG30	S6-484A2I*	48.0	4.2A	100-240VAC	50-60Hz



\*Build to order items. Similar parts may be available in stock. Call for more details.

## Input

- Voltage: 100~240VAC, C14 Socket
- Line Frequency: 50~60Hz
- Current: 2.8A Max

## Output

- Load Regulation:  $\pm 5\%$  (Typical)
- Ripple: 1~2% Vp-p Max. for Output Voltage @ Full Load
- DC Cord: 16AWG
- Ferrite Cord: No
- DC Plug Options: Standard and Custom available

## Environmental

- Operating/Storage Temperature: 0°C ~+40°C/ -20°C~+80°C
- Operating/Storage Humidity: 20%~80%RH/ 10%~90%RH

## Electrical

- Topology: LLC
- Dielectric Withstand: 3000VAC Primary – Secondary
- Leakage Current: 0.25mA
- MTBF: 300,000 Calculated Hours at 25°C
- Efficiency: DoE Level VI, Energy Star, ErP Stage 2, NRCan Certified
- EMI Conduction & Radiation: Compliance to EN 55022 Class B
- Harmonic Current Compliance to EN 61000-3-2,3
- EMS Immunity: Compliance to IEC 61000-4-2,3,4,5,6,8,11

**Full Safety Standard Below**

\* **QUESTIONS ABOUT ANY OF CONDOR'S PRODUCTS PLEASE CALL/EMAIL 408-745-7141 / SALES@CONDORELECTRONICS.NET**

# Safety Standards

Type(Marking)	Country/Region	Standard
UL/CUL	USA/Canada	Safety: UL 60950-1
		Safety: CSA C22.2 No 60950-1-07
FCC	USA	EMI: FCC Part 15, Subpart B, Class B
CE	Europe	In accordance with the council directive 2004/108/EC Adapter Standard: EN61204-3 EMI: EN 55022 EMS: EN 5502-4 ERP 5278/2009
PSE	Japan	適用試験基準：電気用品の技術上の基準を定める省令の解釈 Applied Standard for Testing: Description of the technical requirements by the METI Ordinance. 別表第十二 60950-1(h26), J55022(H22)
GS	Germany	Safety: EN 60950-1
BSMI	Taiwan	Safety: CNS14336-1 (99) 年版
		EMI: CNS13438 (95) 年版

