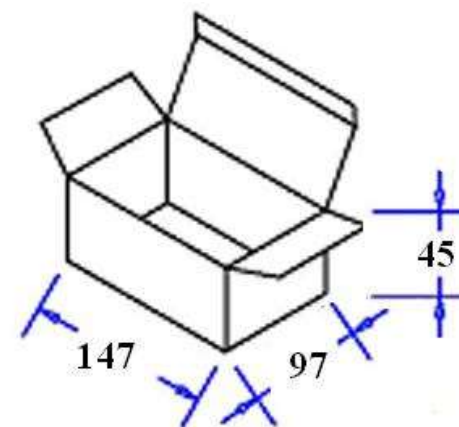


Output Plug and Polarity are Dependent on Customer Requirements

General Specifications

- Input: 100~240Vac/ 47~63Hz
- Output: +18VDC/0~3600mA Regulated
- Catalog Type: 65W – Desktop Series
- DC Cord: 4.9FT, 18AWG with 2 Ferrites
- Operating/Storage Temperature: 0°C~+40°C~ -20°C~+80°C
- Operating/Storage Humidity: 20%~80%RH/10%~90%RH
- M.T.B.F.: 300,000 Hrs. Minimum (25°C By MIL-HDBK-217F)
- Approvals: UL/CUL/FCC/LPS/BSMI/PSE/CCC/CHINA ROHS/RCM/ NRCAN/TUV/CE/WEEE/ROHS/VI
- Meets Energy Efficiency Level VI Standards/ ErP Stage 2
- Protection: Over Voltage/Short Circuit/Over Current
- Packaged Unit Weight: 0.68 Lbs.
- Box Quantity: 40 pcs

White Inner Box Dimensions



| | | | |
|----------|------------------|---|---|
| ITEM NO. | S-18V0-3A6-IDG30 | PART TITLE | Energy Efficient 18 VDC / 3.6A Universal Input Power Supply |
| PART NO. | S6-183A6I |  CONDOR ELECTRONICS, INC. T: 408-745-7141 F: 408-745-0439 780 Montague Expy. Ste. 406 San Jose, CA 95131 USA sales@condorelectronics.net | |
| DATE | 12.16.2015 | | |
| APPROVAL | CB | | |
| UNIT | mm | | |
| REV | 0 | | |

65W Level VI – Desktop Series

| OnLine Part Number | Condor P/N | OUTPUT VOLTAGE | OUTPUT CURRENT | INPUT VOLTAGE | FREQUENCY |
|--------------------|-------------|----------------|----------------|---------------|-----------|
| S-12V0-5A0-IDG30 | S6-125A0I | 12.0V | 5.00A | 100-240VAC | 50-60Hz |
| S-13V5-4A8-IDG30 | S6-134A8I | 13.5V | 4.82A | 100-240VAC | 50-60Hz |
| S-15V0-4A3-IDG30 | S6-154A3I | 15.0V | 4.34A | 100-240VAC | 50-60Hz |
| S-16V0-4A07-IDG30 | S6-164A07I* | 16.0V | 4.07A | 100-240VAC | 50-60Hz |
| S-18V0-3A6-IDG30 | S6-183A6I | 18.0V | 3.62A | 100-240VAC | 50-60Hz |
| S-19V0-3A4-IDG30 | S6-193A4I | 19.0V | 3.43A | 100-240VAC | 50-60Hz |
| S-20V0-3A2-IDG30 | S6-203A2I* | 20.0V | 3.25A | 100-240VAC | 50-60Hz |
| S-24V0-3A0-IDG30 | S6-243A0I* | 24.0V | 3.00A | 100-240VAC | 50-60Hz |
| S-24V0-2A7-IDG30 | S6-242A7I | 24.0V | 2.71A | 100-240VAC | 50-60Hz |
| S-30V0-2A1-IDG30 | S6-302A1I* | 30.0V | 2.17A | 100-240VAC | 50-60Hz |
| S-32V0-2A04-IDG30 | S6-322A04I* | 32.0V | 2.04A | 100-240VAC | 50-60Hz |
| S-48V0-1A36-IDG30 | S6-481A36I | 48.0V | 1.36A | 100-240VAC | 50-60Hz |
| S-56V0-1A1-IDG30 | S6-561A1I* | 56.0V | 1.17A | 100-240VAC | 50-60Hz |



*Build to order items. Similar parts may be available in stock. Call for more details.

Input

- Voltage: 100~240VAC, C14 Socket Standard (C6, C8 Optional)
- Line Frequency: 50~60Hz
- Current: 1.2A Max

Output

- Load Regulation: $\pm 5\%$ (Typical)
- Ripple: 1~2% Vp-p Max. for Output Voltage @ Full Load
- DC Cord: 20AWG / 18AWG / 16AWG
- Ferrite Cord: Yes
- DC Plug Options: Standard and Custom available

Environmental

- Operating/Storage Temperature: 0°C ~+40°C/ -20°C~+80°C
- Operating/Storage Humidity: 20%~80%RH/ 10%~90%RH

Electrical

- Topology: Switching Flyback
- Dielectric Withstand: 3000VAC Primary – Secondary
- Leakage Current: 0.25mA
- MTBF: 300,000 Calculated Hours at 25°C
- Efficiency: DoE Level VI, Energy Star, ErP Stage 2, NRCan Certified
- EMI Conduction & Radiation: Compliance to EN 55022 Class B
- Harmonic Current Compliance to EN 61000-3-2,3
- EMS Immunity: Compliance to IEC 61000-4-2,3,4,5,6,8,11

Full Safety Standard Below

* **QUESTIONS ABOUT ANY OF CONDOR'S PRODUCTS PLEASE CALL/EMAIL 408-745-7141 / SALES@CONDORELECTRONICS.NET**

Safety Standards

| Type(Marking) | Country/Region | Standard |
|---------------|---------------------------|--|
| UL/CUL | USA/Canada | Safety: UL 60950-1 |
| | | Safety: CSA C22.2 No 60950-1-07 |
| FCC | USA | EMI: FCC Part 15, Subpart B, Class B |
| CE | Europe | In accordance with the council directive 2004/108/EC Adapter Standard: EN61204-3 EMI: EN 55022 EMS: EN 5502-4 ERP 5278/2009 |
| CCC | China | Safety: GB-4946-2001 EMI: GB9254-2008 EMS: GB17625.1-2003 |
| PSE | Japan | 適用試験基準：電気用品の技術上の基準を定める省令の解釈 Applied Standard for Testing: Description of the technical requirements by the METI Ordinance. 別表第十二 60950-1(h26), J55022(H22) |
| GS | Germany | Safety: EN 60950-1 |
| RCM | Australia/ New Zealand | Safety: SAA – AX/NZS 60950.1 EMI: C-TICK – AS/NZD CISPER22 |
| R-MEPS | | AS/NZS 4665.1:2005/Amd 1:2009 and AS/NZS 4665.2:2005/Amd 1:2009 |
| BSMI | Taiwan | Safety: CNS14336-1 (99) 年版 EMI: CNS13438 (95) 年版 |

