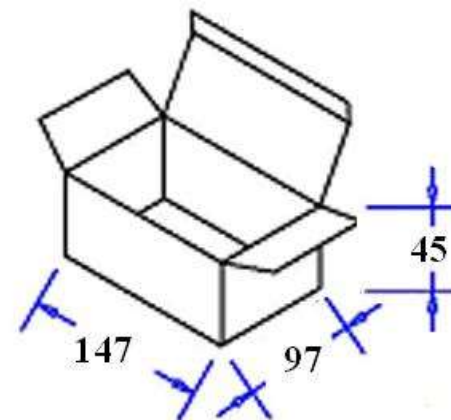


Output Plug and Polarity are Dependent on Customer Requirements

General Specifications

- Input: 100~240Vac/ 47~63Hz
- Output: +19VDC/0~3400mA Regulated
- Catalog Type: 65W – Desktop Series
- DC Cord: 4.9FT, 18AWG with Ferrite
- Operating/Storage Temperature: 0°C ~+40°C/ -20°C~+80°C
- Operating/Storage Humidity: 20%~80%RH/10%~90%RH
- M.T.B.F.: 300,000 Hrs. Minimum (25°C Ambient Temp., Full Load)
- Approvals: UL/CUL/FCC/LPS/PSE/BSMI/CCC/CHINA ROHS/NRCAN/RCM/TUV/CE/WEEE/ROHS/VI
- Meets Energy Efficiency Level VI Standards/ ErP Stage 2
- Protection: Over Voltage/Short Circuit/Over Current
- Packaged Unit Weight: 0.68 Lbs.
- Box Quantity: 40 pcs

White Inner Box Dimensions



<i>ITEM NO.</i>	S-19V0-3A4-IDG30	<i>PART TITLE</i>	Energy Efficient 19 VDC / 3.4A Universal Input Power Supply
<i>PART NO.</i>	S6-193A4I	 CONDOR ELECTRONICS, INC. T: 408-745-7141 F: 408-745-0439 990 San Antonio Road Palo Alto, CA 94303 USA sales@condorelectronics.net	
<i>DATE</i>	12.16.2015		
<i>APPROVAL</i>	CB		
<i>UNIT</i>	mm		
<i>REV</i>	0		

65W Level VI – Desktop Series

OnLine Part Number	Condor P/N	OUTPUT VOLTAGE	OUTPUT CURRENT	INPUT VOLTAGE	FREQUENCY
S-12V0-5A0-IDG30	S6-125A0I	12.0V	5.00A	100-240VAC	50-60Hz
S-13V5-4A8-IDG30	S6-134A8I	13.5V	4.82A	100-240VAC	50-60Hz
S-15V0-4A3-IDG30	S6-154A3I	15.0V	4.34A	100-240VAC	50-60Hz
S-16V0-4A07-IDG30	S6-164A07I*	16.0V	4.07A	100-240VAC	50-60Hz
S-18V0-3A6-IDG30	S6-183A6I	18.0V	3.62A	100-240VAC	50-60Hz
S-19V0-3A4-IDG30	S6-193A4I	19.0V	3.43A	100-240VAC	50-60Hz
S-20V0-3A2-IDG30	S6-203A2I*	20.0V	3.25A	100-240VAC	50-60Hz
S-24V0-3A0-IDG30	S6-243A0I*	24.0V	3.00A	100-240VAC	50-60Hz
S-24V0-2A7-IDG30	S6-242A7I	24.0V	2.71A	100-240VAC	50-60Hz
S-30V0-2A1-IDG30	S6-302A1I*	30.0V	2.17A	100-240VAC	50-60Hz
S-32V0-2A04-IDG30	S6-322A04I*	32.0V	2.04A	100-240VAC	50-60Hz
S-48V0-1A36-IDG30	S6-481A36I	48.0V	1.36A	100-240VAC	50-60Hz
S-56V0-1A1-IDG30	S6-561A1I*	56.0V	1.17A	100-240VAC	50-60Hz



*Build to order items. Similar parts may be available in stock. Call for more details.

Input

- Voltage: 100~240VAC, C14 Socket Standard (C6, C8 Optional)
- Line Frequency: 50~60Hz
- Current: 1.2A Max

Output

- Load Regulation: $\pm 5\%$ (Typical)
- Ripple: 1~2% Vp-p Max. for Output Voltage @ Full Load
- DC Cord: 20AWG / 18AWG / 16AWG
- Ferrite Cord: Yes
- DC Plug Options: Standard and Custom available

Environmental

- Operating/Storage Temperature: 0°C ~+40°C/ -20°C~+80°C
- Operating/Storage Humidity: 20%~80%RH/ 10%~90%RH

Electrical

- Topology: Switching Flyback
- Dielectric Withstand: 3000VAC Primary – Secondary
- Leakage Current: 0.25mA
- MTBF: 300,000 Calculated Hours at 25°C
- Efficiency: DoE Level VI, Energy Star, ErP Stage 2, NRCan Certified
- EMI Conduction & Radiation: Compliance to EN 55022 Class B
- Harmonic Current Compliance to EN 61000-3-2,3
- EMS Immunity: Compliance to IEC 61000-4-2,3,4,5,6,8,11

Full Safety Standard Below

* **QUESTIONS ABOUT ANY OF CONDOR'S PRODUCTS PLEASE CALL/EMAIL 408-745-7141 / SALES@CONDORELECTRONICS.NET**

Safety Standards

Type(Marking)	Country/Region	Standard
UL/CUL	USA/Canada	Safety: UL 60950-1
		Safety: CSA C22.2 No 60950-1-07
FCC	USA	EMI: FCC Part 15, Subpart B, Class B
CE	Europe	In accordance with the council directive 2004/108/EC Adapter Standard: EN61204-3 EMI: EN 55022 EMS: EN 5502-4 ERP 5278/2009
CCC	China	Safety: GB-4946-2001 EMI: GB9254-2008 EMS: GB17625.1-2003
PSE	Japan	適用試験基準：電気用品の技術上の基準を定める省令の解釈 Applied Standard for Testing: Description of the technical requirements by the METI Ordinance. 別表第十二 60950-1(h26), J55022(H22)
GS	Germany	Safety: EN 60950-1
RCM	Australia/ New Zealand	Safety: SAA – AX/NZS 60950.1 EMI: C-TICK – AS/NZD CISPER22
R-MEPS		AS/NZS 4665.1:2005/Amd 1:2009 and AS/NZS 4665.2:2005/Amd 1:2009
BSMI	Taiwan	Safety: CNS14336-1 (99) 年版 EMI: CNS13438 (95) 年版

