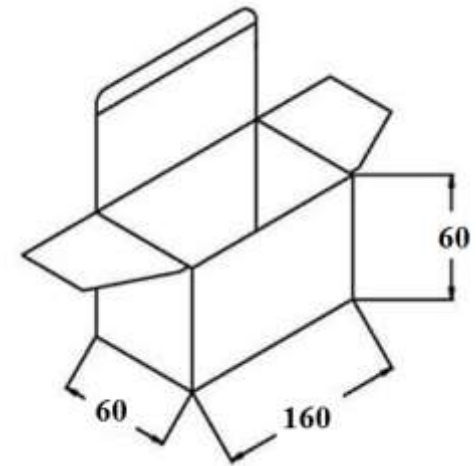


Output Plug and Polarity are Dependent on Customer Requirements

Inner Box Dimensions



General Specifications

- Input: 100~240VAC/ 47~63Hz
- Output: +24VDC/0~2700mA Regulated
- DC Cord: 6FT, 18AWG, Flat with Ferrite
- Operating/Storage Temperature: 0°C ~+40°C/ -20°C~+80°C
- Operating/Storage Humidity: 10%~90%RH/ 5%~95%RH
- Approvals: UL/CUL/FCC/LPS/WEEE/ROHS/VI
- Meets Energy Efficiency Level VI Standards
- Protection: Over Voltage/Short Circuit
- Packaged Unit Weight: 0.65lbs
- Carton Quantity: 50 pcs

ITEM NO.	S-24V0-2A7-U30	PART TITLE	Energy Efficient 24 VDC / 2.7A Universal Input Power Supply
PART NO.	S6-242A7W	 CONDOR ELECTRONICS, INC. T: 408-745-7141 F: 408-745-0439 990 San Antonio Road Palo Alto, CA 94303 USA sales@condorelectronics.net	
DATE	12.22.2017		
APPROVAL	WS		
UNIT	mm		
REV	0		