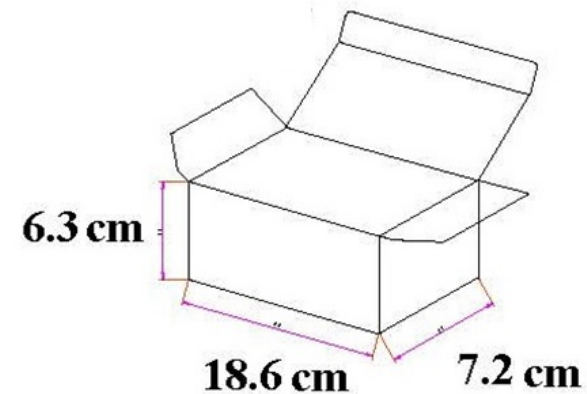



**Output Plug and Polarity are Dependent on Customer Requirements**

### General Specifications

- Input: 100~240Vac/ 47~63Hz
- Output: +24VDC/0~5600mA Regulated
- DC Cord: 3.9FT, 18AWG With Ferrite
- Operating/Storage Temperature: 0°C ~+40°C/ -10°C~+55°C
- Operating Humidity: 5%~90%RH
- M.T.B.F.: 50,000 Hrs. Minimum (25°C Ambient Temp., Full Load)
- Approvals: UL/CUL/FCC/PSE/CCC/RCM/IRAM/BS/TUV/WEEE/ROHS/VI
- Meets Energy Efficiency Level VI Standards/ ErP Stage 2
- Protection: Over Voltage/Short Circuit
- Unit Weight: ≈1 lbs
- Carton Quantity: 30 pcs

### Inner Box Dimensions



<b>ITEM NO.</b>	S-24V0-5A6-IDG30	<b>PART TITLE</b>	Energy Efficient 24 VDC / 5.6A Universal Input Power Supply
<b>PART NO.</b>	S6-245A6I	 <b>CONDOR ELECTRONICS, INC.</b> T: 408-745-7141 F: 408-745-0439 990 San Antonio Road Palo Alto, CA 94303 USA <a href="mailto:sales@condorelectronics.net">sales@condorelectronics.net</a>	
<b>DATE</b>	10.04.2017		
<b>APPROVAL</b>	WS		
<b>UNIT</b>	mm		
<b>REV</b>	0		