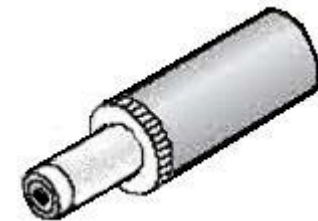
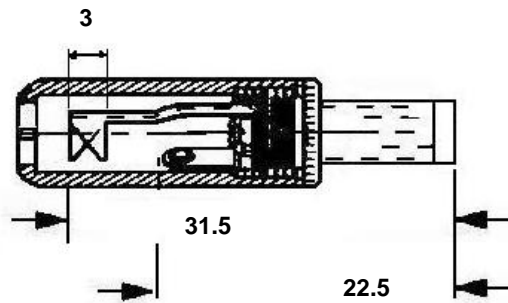
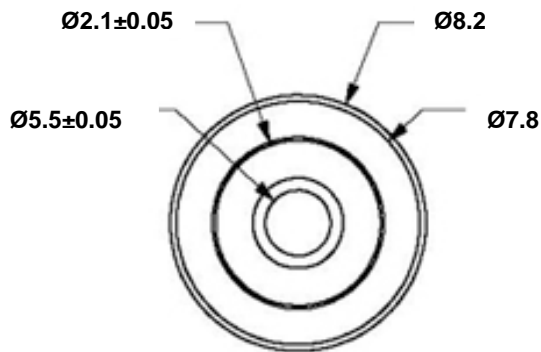


Tolerance is
± .3MM
unless
otherwise
specified.



PART TITLE	DC Plug, Male 2.1 x 5.5 x 9.5mm, Hard Plastic Shell
-------------------	--

PART NO.	S760
DATE	12.11.2014
APPROVAL	CB
UNIT	mm
REV	0



CONDOR ELECTRONICS, INC.
T: 408-745-7141 F: 408-745-0439
990 San Antonio Road
Palo Alto, CA 94303 USA
sales@condorelectronics.net