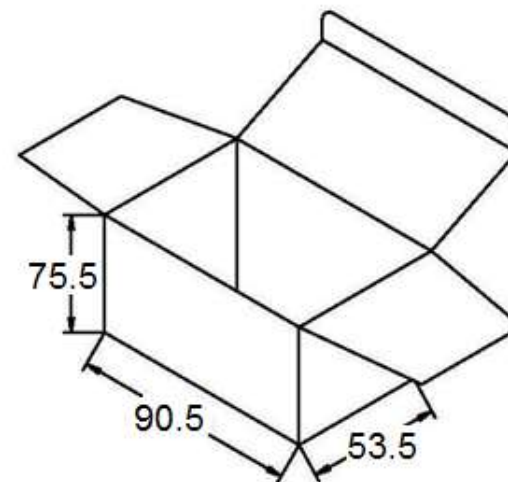


**Output Plug and Polarity are Dependent on Customer Requirements**

**General Specifications**

- Input: 100~240Vac/ 50~60Hz
- Output: +5VDC/0~4000mA Regulated
- DC Cord: 4.9 FT MIN, 18 AWG
- Operating/Storage Temperature: 0°C ~+40°C/ -20°C~+60°C
- Operating/Storage Humidity: 10%~90%RH/ 10%~95%RH
- Approvals: UL/CUL/FCC/LPS/WEEE/ROHS/ V
- Meets Energy Efficiency Level V Standards
- Protection: Over Voltage/Short Circuit
- Packaged Unit Weight: 0.34 lbs
- Carton Quantity: 80 pcs

**Inner Box Dimensions**



<b>ITEM NO.</b>	S-5V0-4A0-U30	<b>PART TITLE</b>	Energy Efficient 5 VDC / 4.0A Universal Input Power Supply
<b>PART NO.</b>	SA-054A0W	 <b>CONDOR ELECTRONICS, INC.</b> T: 408-745-7141 F: 408-745-0439 780 Montague Expy. Ste. 406 San Jose, CA 95131 USA <a href="mailto:sales@condorelectronics.net">sales@condorelectronics.net</a>	
<b>DATE</b>	12.16.2015		
<b>APPROVAL</b>	CB		
<b>UNIT</b>	mm		
<b>REV</b>	0		