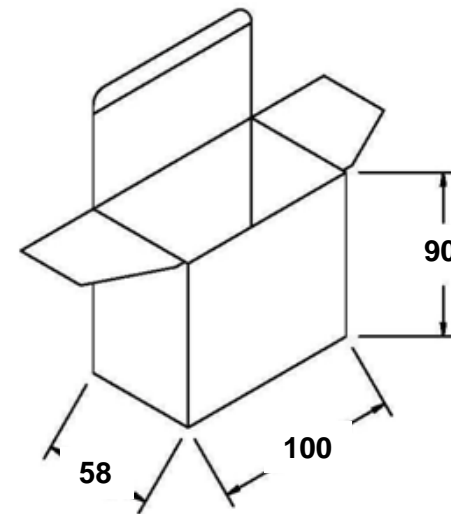



Output Plug and Polarity are Dependent on Customer Requirements

General Specifications

- Input: 100~240Vac/ 47~63Hz
- Output: +12VDC/0~1250mA Regulated
- DC Cord: 6FT, 20AWG
- Operating/Storage Temperature: 0°C ~+40°C/ -10°C~+70°C
- Operating/Storage Humidity: 20%~80%RH/ 10%~90%RH
- Approvals: UL/CUL/FCC/LPS/PSE/BSMI/CCC/IRAM/RCM/TUV/CE/WEEE/ROHS/VI
- Meets Energy Efficiency Level VI Standards
- Protection: Over Voltage/Short Circuit
- Packaged Unit Weight: .35 lbs
- Carton Quantity: 60 pcs
- Interchangeable Input Plugs Sold
As A Set Or Individually (Country Specific).

Inner Box Dimensions:



ITEM NO.	S-12V0-1A25-P30	PART TITLE	Energy Efficient 12 VDC / 1.25A Universal Input Power Supply
PART NO.	S6-121A25P	 CONDOR ELECTRONICS, INC. T: 408-745-7141 F: 408-745-0439 780 Montague Expy. Ste. 406 San Jose, CA 95131 USA sales@condorelectronics.net	
DATE	01.09.2017		
APPROVAL	WS		
UNIT	mm		
REV	0		