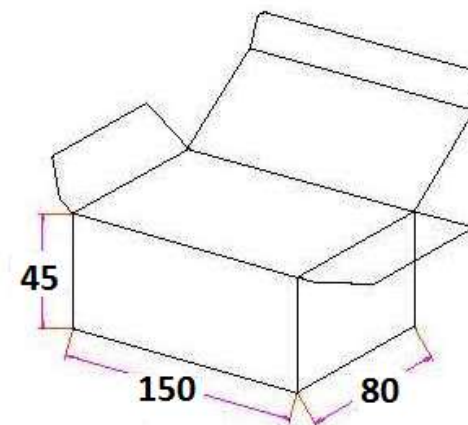


Output Plug and Polarity are Dependent on Customer Requirements

General Specifications

- Input: 100~240Vac/ 47~63Hz
- Output: +12VDC/0~3300mA Regulated
- DC Cord: 3.9FT, 16AWG With Ferrite
- Operating/Storage Temperature: 0°C ~+40°C/ -10°C~+55°C
- Operating Humidity: 5%~90%RH
- Approvals: UL/CUL/FCC/LPS/BSMI/PSE/RCM/CCC/CHINA ROHS/IRAM/KC/TUV-GS, BS/CE/WEEE/ROHS/VI
- Meets Energy Efficiency Level VI Standards/ ErP Stage 2
- Protection: Over Voltage/Short Circuit
- Unit Weight: 0.45 Lbs.
- Carton Quantity: 39 pcs

Inner Box Dimensions



<i>ITEM NO.</i>	S-12V0-3A3-IDG0	<i>PART TITLE</i>	Energy Efficient 12 VDC / 3.3A Universal Input Power Supply
<i>PART NO.</i>	SA-123A3IV	 CONDOR ELECTRONICS, INC. T: 408-745-7141 F: 408-745-0439 990 San Antonio Road Palo Alto, CA 94303 USA sales@condorelectronics.net	
<i>DATE</i>	12.21.2015		
<i>APPROVAL</i>	CB		
<i>UNIT</i>	mm		
<i>REV</i>	0		

Safety Standards

Type(Marking)	Country/Region	Standard
UL/CUL	USA/Canada	Safety: UL 60950-1
		Safety: CSA C22.2 No 60950-1-07
FCC	USA	EMI: FCC Part 15, Subpart B, Class B
CE	Europe	In accordance with the council directive 2004/108/EC Adapter Standard: EN61204-3 EMI: EN 55022 EMS: EN 5502-4 ERP 5278/2009
CCC	China	Safety: GB-4946-2001 EMI: GB9254-2008 EMS: GB17625.1-2003
PSE	Japan	適用試験基準：電気用品の技術上の基準を定める省令の解釈 Applied Standard for Testing: Description of the technical requirements by the METI Ordinance. 別表第十二 60950-1(h26), J55022(H22)
GS	Germany	Safety: EN 60950-1
RCM	Australia/ New Zealand	Safety: SAA – AX/NZS 60950.1 EMI: C-TICK – AS/NZD CISPER22
R-MEPS		AS/NZS 4665.1:2005/Amd 1:2009 and AS/NZS 4665.2:2005/Amd 1:2009
BSMI	Taiwan	Safety: CNS14336-1 (99) 年版 EMI: CNS13438 (95) 年版
IRAM	Argentina	Coming Soon
INMETRO	Brazil	Coming Soon

