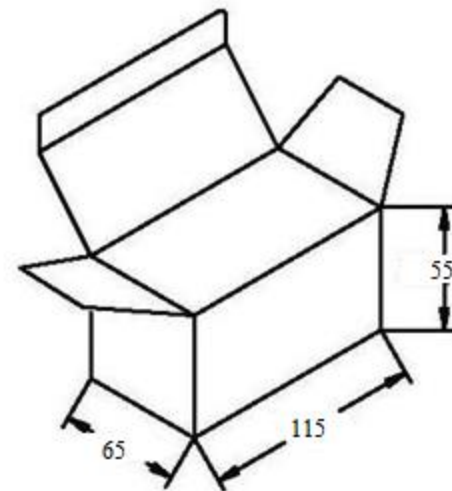



Output Plug and Polarity are Dependent on Customer Requirements

General Specifications

- Input: 100~240VAC/ 47~63Hz
- Output: +12VDC/0~5000mA Regulated
- DC Cord: 6FT, 16AWG, Flat
- Operating/Storage Temperature: 0°C ~+40°C/ -20°C~+70°C
- Operating/Storage Humidity: 10%~95%RH/ 10%~95%RH
- Approvals: UL/CUL/FCC/LPS/PSE/TUV/WEEE/ROHS/IV
- Meets Energy Efficiency Level IV Standards
- Protection: Over Voltage/Short Circuit
- Packaged Unit Weight: 0.65lbs
- Carton Quantity: 60 pcs

Inner Box Dimensions



ITEM NO.	S-12V0-5A0-U30	PART TITLE	Energy Efficient 12VDC / 5.0A Universal Input Power Supply
PART NO.	SA-125A0W	 CONDOR ELECTRONICS, INC. T: 408-745-7141 F: 408-745-0439 780 Montague Expy. Ste. 406 San Jose, CA 95131 USA sales@condorelectronics.net	
DATE	1.04.2016		
APPROVAL	CB		
UNIT	mm		
REV	0		