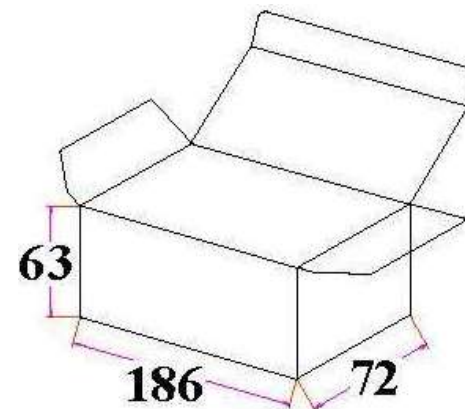


Output Plug and Polarity are Dependent on Customer Requirements

General Specifications

- Input: 100~240Vac/ 47~63Hz
- Output: +13.5VDC/0~7100mA Regulated
- DC Cord: 3.9FT, 16AWG With Ferrite
- Operating/Storage Temperature: 0°C ~+40°C/ -10°C~+55°C
- Operating Humidity: 5%~90%RH
- M.T.B.F.: 50,000 Hrs. Minimum (25°C Ambient Temp., Full Load)
- Approvals: UL/CUL/FCC/PSE/BS/C-TICK/S-MARK/TUV/WEEE/ROHS/V
- Meets Energy Efficiency Level V Standards/ ErP Stage 2
- Protection: Over Voltage/Short Circuit
- Unit Weight: 1.07 lbs
- Carton Quantity: 30 pcs

Inner Box Dimensions



<i>ITEM NO.</i>	S-13V5-7A1-IDG30	<i>PART TITLE</i>	Energy Efficient 13.5 VDC / 7.1A Universal Input Power Supply
<i>PART NO.</i>	SA-137A1IV	 CONDOR ELECTRONICS, INC. T: 408-745-7141 F: 408-745-0439 990 San Antonio Road Palo Alto, CA 94303 USA sales@condorelectronics.net	
<i>DATE</i>	1.04.2016		
<i>APPROVAL</i>	CB		
<i>UNIT</i>	mm		
<i>REV</i>	0		