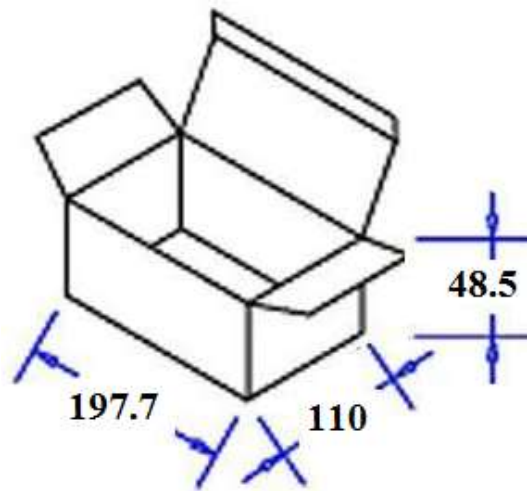


**Output Plug and Polarity are Dependent on Customer Requirements**

INNER BOX DIMENSIONS:



**General Specifications**

- Input: 100~240Vac/ 47~63Hz
- Output: +13.5VDC/0~8000mA Regulated
- DC Cord: 6 FT, 16 AWG
- Operating/Storage Temperature: 0°C ~+40°C/ -20°C~+80°C
- Operating/Storage Humidity: 20%~80%RH/ 10%~90%RH
- Approvals: UL/CUL/FCC/PSE/BSMI/CCC/RCM/ TUV/CE/WEEE/ROHS/VI
- Meets Energy Efficiency Level VI Standards
- Protection: Over Voltage/Short Circuit
- Packaged Unit Weight: 1.44 lbs
- Carton Quantity: 24 pcs

<i>ITEM NO.</i>	S-13V5-8A0-IDG30	<i>PART TITLE</i>	Energy Efficient 13.5 VDC / 8.0A Universal Input Power Supply
<i>PART NO.</i>	SA-138A0IV	 <b>CONDOR ELECTRONICS, INC.</b> T: 408-745-7141 F: 408-745-0439 990 San Antonio Road Palo Alto, CA 94303 USA <a href="mailto:sales@condorelectronics.net">sales@condorelectronics.net</a>	
<i>DATE</i>	1.04.2016		
<i>APPROVAL</i>	CB		
<i>UNIT</i>	mm		
<i>REV</i>	0		