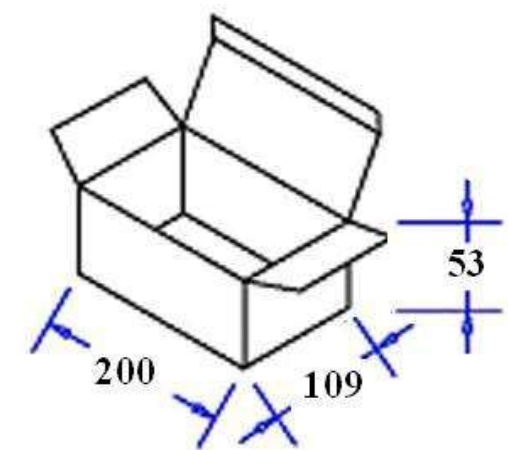


**Output Plug and Polarity are Dependent on Customer Requirements**

White Inner Box Dimensions



**General Specifications**

- Input: 100~240Vac/ 47~63Hz
- Output: +15VDC/0~8000mA Regulated
- DC Cord: 4.9FT, 14AWG
- Operating/Storage Temperature 0°C ~+40°C/ -20°C~+60°C
- Operating/Storage Humidity 20%~80%RH/10%~90%RH
- M.T.B.F.: 50,000 Hrs. Minimum (25°C Ambient Temp., Full Load)
- Approvals: UL/CUL/FCC/BSMI/PSE/CCC/RCM/TUV/CE/WEEE/ROHS/V
- Meets Energy Efficiency Level V Standards
- Protection: Over Voltage/Short Circuit/ Over Current/Over Temperature
- Packaged Unit Weight: 1.45 lbs
- Box Quantity: 24 pcs

<b>ITEM NO.</b>	S-15V0-8A0-IDG30	<b>PART TITLE</b>	Energy Efficient 15 VDC / 8A Universal Input Power Supply
<b>PART NO.</b>	SA-158A0IV	 <b>CONDOR ELECTRONICS, INC.</b> T: 408-745-7141 F: 408-745-0439 780 Montague Expy. Ste. 406 San Jose, CA 95131 USA <a href="mailto:sales@condorelectronics.net">sales@condorelectronics.net</a>	
<b>DATE</b>	1.04.2016		
<b>APPROVAL</b>	CB		
<b>UNIT</b>	mm		
<b>REV</b>	0		