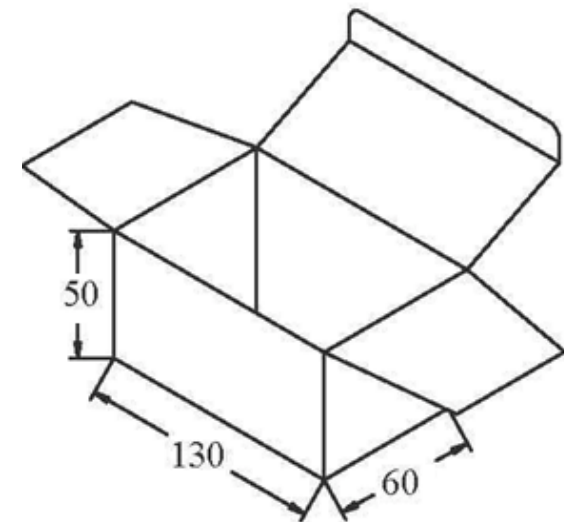



**Output Plug and Polarity are Dependent on Customer Requirements**

**General Specifications**

- Input: 100~240Vac/ 47~63Hz
- Output: +18VDC/0~1600mA Regulated
- DC Cord: 6 FT, 18AWG
- Operating/Storage Temperature: 0°C ~+40°C/ -20°C~+70°C
- Operating/Storage Humidity: 10%~95%RH/ 10%~95%RH
- Approvals: UL/CUL/FCC/LPS/TUV/CE/WEEE/ROHS/V (\*PSE/VCCI – JAPAN IMPORTER REQUIRED CALL FOR MORE INFORMATION)
- Meets Energy Efficiency Level V Standards
- Protection: Over Voltage/Short Circuit
- Packaged Unit Weight: .40 lbs
- Carton Quantity: 60 pcs

**Inner Box Dimensions:**



<b>ITEM NO.</b>	S-18V0-1A6-IDG30	<b>PART TITLE</b>	Energy Efficient 18 VDC / 1.6A Universal Input Power Supply
<b>PART NO.</b>	SA-181A6IV	 <b>CONDOR ELECTRONICS, INC.</b> T: 408-745-7141 F: 408-745-0439 780 Montague Expy. Ste. 406 San Jose, CA 95131 USA <a href="mailto:sales@condorelectronics.net">sales@condorelectronics.net</a>	
<b>DATE</b>	1.04.2016		
<b>APPROVAL</b>	CB		
<b>UNIT</b>	mm		
<b>REV</b>	0		