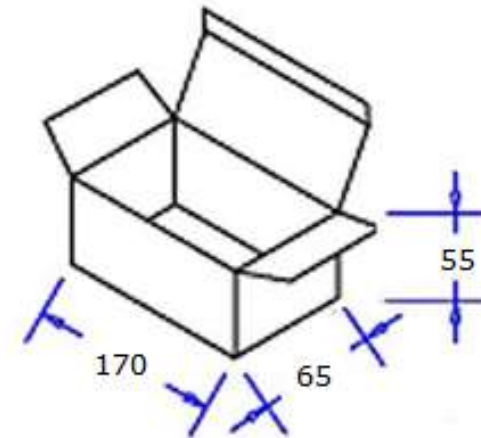


Output Plug and Polarity are Dependent on Customer Requirements

General Specifications

- Input: 100~240Vac/ 47~63Hz
- Output: +19VDC/0~3400mA Regulated
- DC Cord: 4.9FT, 18AWG
- Operating/Storage Temperature: -20°C ~+55°C/ -22°C~+57°C
- Operating/Storage Humidity: 0%~40%RH/10%~90%RH
- Approvals: UL/CUL/FCC/LPS/PSE/BSMI/CTICK/CCC/RCM/IRAM/
- KC/TUV-GS,BS/CE/WEEE/ROHS/VI
- Meets Energy Efficiency Level VI Standards
- Protection: Over Voltage/Short Circuit/Over Current
- Packaged Unit Weight: .68 lbs
- Box Quantity: 39 pcs

White Inner Box Dimensions



ITEM NO.	S-19V0-3A42-IDG30	PART TITLE	Energy Efficient 19 VDC / 3.4A Universal Input Power Supply
PART NO.	SA-193A4IV	 CONDOR ELECTRONICS, INC. T: 408-745-7141 F: 408-745-0439 990 San Antonio Road Palo Alto, CA 94303 USA sales@condorelectronics.net	
DATE	1.04.2016		
APPROVAL	CB		
UNIT	mm		
REV	0		