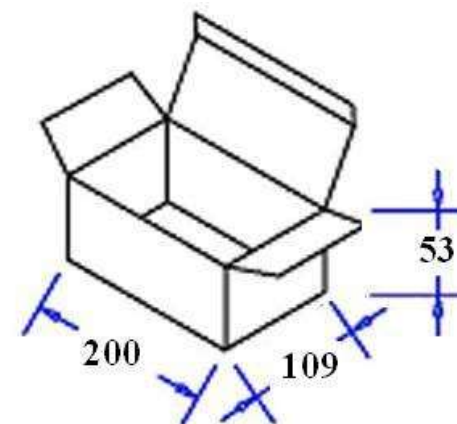


Output Plug and Polarity are Dependent on Customer Requirements

General Specifications

- Input: 100~240Vac/ 47~63Hz
- Output: +19VDC/0~6300mA Regulated
- DC Cord: 5FT, 14AWG
- Operating/Storage Temperature: 0°C ~+40°C/ -20°C~+60°C
- Operating/Storage Humidity: 20%~80%RH/10%~90%RH
- M.T.B.F.: 50,000 Hrs. Minimum (25°C Ambient Temp., Full Load)
- Approvals: UL/CUL/FCC /PSE/BSMI/CCC/RCM/TUV/CE /WEEE /ROHS/V
- Meets Energy Efficiency Level V Standards
- Protection: Over Voltage/Short Circuit/Over Current/Over Temperature
- Packaged Unit Weight: 1.45 lbs
- Box Quantity: 24 pcs

White Inner Box Dimensions



<i>ITEM NO.</i>	S-19V0-6A3-IDG30	<i>PART TITLE</i>	Energy Efficient 19 VDC /6.3A Universal Input Power Supply
<i>PART NO.</i>	SA-196A3IV	 CONDOR ELECTRONICS, INC. T: 408-745-7141 F: 408-745-0439 990 San Antonio Road Palo Alto, CA 94303 USA sales@condorelectronics.net	
<i>DATE</i>	1.04.2016		
<i>APPROVAL</i>	CB		
<i>UNIT</i>	mm		
<i>REV</i>	0		