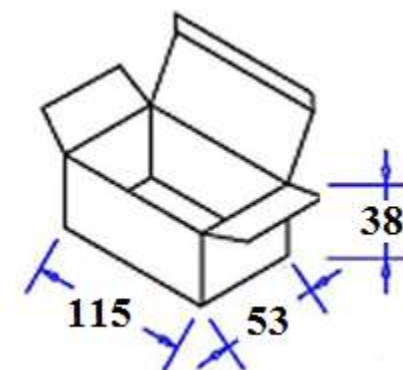


Output Plug and Polarity are Dependent on Customer Requirements

Inner Box Dimensions:



General Specifications

- Input: 100~240Vac/ 47~63Hz
- Output: +24VDC/0~3000mA Regulated
- DC Cord: 5 FT, 18 AWG
- Operating/Storage Temperature: 0°C ~+40°C/ -20°C~+80°C
- Operating/Storage Humidity: 20%~80%RH/ 10%~90%RH
- Approvals: UL/CUL/FCC/LPS/PSE/BSMI/CCC/RCM/TUV/CE/WEEE/ROHS/V
- Meets Energy Efficiency Level V Standards / NRCan
- Protection: Over Voltage/Short Circuit/Over Current/Over Temperature
- Packaged Unit Weight: 0.7 lbs
- Carton Quantity: 40 pcs

ITEM NO.	S-24V0-3A0-I2-30	PART TITLE	Energy Efficient 24 VDC / 3.0A Universal Input Power Supply
PART NO.	SA-243A0IV-2W	 CONDOR ELECTRONICS, INC. T: 408-745-7141 F: 408-745-0439 780 Montague Expy. Ste. 406 San Jose, CA 95131 USA sales@condorelectronics.net	
DATE	1.04.2016		
APPROVAL	CB		
UNIT	mm		
REV	0		