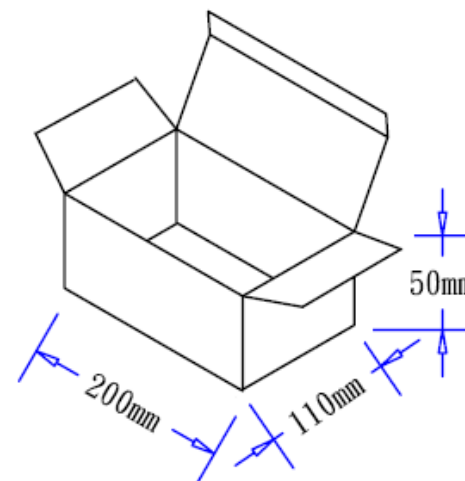


Output Plug and Polarity are Dependent on Customer Requirements

General Specifications

- Input: 100~240Vac/ 47~63Hz
- Output: +24VDC/0~5000mA Regulated
- Catalog Type: 120W – Desktop Series
- DC Cord: 4.9 FT, 16 AWG
- Operating/Storage Temperature: 0°C ~+40°C/ -20°C~+80°C
- Operating/Storage Humidity: 20%~80%RH/ 10%~90%RH
- Approvals: UL/CUL/FCC/BSMI/PSE/CCC/CHINA ROHS/RCM/KC MARK/ TUV/CE/WEEE/ROHS/VI
- Meets Energy Efficiency Level VI Standards/ ErP Stage 2
- Protection: Over Voltage/Short Circuit
- Packaged Unit Weight: 1.03 Lbs.
- Carton Quantity: 24 pcs

Inner Box Dimensions



ITEM NO.	S-24V0-5A0-IDG30	PART TITLE	Energy Efficient 24 VDC / 5.0A Universal Input Power Supply
PART NO.	SA-245A0IV	 CONDOR ELECTRONICS, INC. T: 408-745-7141 F: 408-745-0439 990 San Antonio Road Palo Alto, CA 94303 USA sales@condorelectronics.net	
DATE	12.16.2015		
APPROVAL	CB		
UNIT	mm		
REV	0		

120W Level VI – Desktop Series

OnLine Part Number	Condor P/N	OUTPUT VOLTAGE	OUTPUT CURRENT	INPUT VOLTAGE	FREQUENCY
S-12V0-9A0-IDG30	SA-129A0IV	12.0V	9.0A	100-240VAC	50-60Hz
S-15V0-8A0-IDG30	SA-158A0IV*	15.0V	8.0A	100-240VAC	50-60Hz
S-16V0-7A5-IDG30	SA-167A5IV*	16.0V	7.5A	100-240VAC	50-60Hz
S-18V0-6A6-IDG30	SA-186A6IV*	18.0V	6.6A	100-240VAC	50-60Hz
S-19V0-6A3-IDG30	SA-196A3IV*	19.0V	6.3A	100-240VAC	50-60Hz
S-20V0-6A0-IDG30	SA-206A0IV*	20.0V	6.0A	100-240VAC	50-60Hz
S-24V0-5A0-IDG30	SA-245A0IV	24.0V	5.0A	100-240VAC	50-60Hz
S-30V0-4A0-IDG30	SA-304A0IV*	30.0V	4.0A	100-240VAC	50-60Hz
S-48V0-2A5-IDG30	SA-482A5IV	48.0V	2.5A	100-240VAC	50-60Hz
S-56V0-2A1-IDG30	SA-562A1IV*	56.0V	2.14A	100-240VAC	50-60Hz



*Build to order items. Similar parts may be available in stock. Call for more details.

Input

- Voltage: 100~240VAC, C14 Socket Standard (C6 Optional)
- Line Frequency: 50~60Hz
- Current: 1.2A Max

Output

- Load Regulation: $\pm 5\%$ (Typical)
- Ripple: 1~2% Vp-p Max. for Output Voltage @ Full Load
- DC Cord: 18AWG / 16AWG / 14AWG
- Ferrite Cord: Yes
- DC Plug Options: Standard and Custom available

Environmental

- Operating/Storage Temperature: 0°C ~+40°C/ -20°C~+80°C
- Operating/Storage Humidity: 20%~80%RH/ 10%~90%RH

Electrical

- Topology: Switching Flyback
- Dielectric Withstand: 3000VAC Primary – Secondary
- Leakage Current: 0.25mA
- MTBF: 300,000 Calculated Hours at 25°C
- Efficiency: DoE Level VI, Energy Star, ErP Stage 2, NRCan Certified
- EMI Conduction & Radiation: Compliance to EN 55022 Class B
- Harmonic Current Compliance to EN 61000-3-2,3
- EMS Immunity: Compliance to IEC 61000-4-2,3,4,5,6,8,11

Full Safety Standard Below

* **QUESTIONS ABOUT ANY OF CONDOR'S PRODUCTS PLEASE CALL/EMAIL 408-745-7141/SALES@CONDORELECTRONICS.NET**

Safety Standards

Type(Marking)	Country/Region	Standard
UL/CUL	USA/Canada	Safety: UL 60950-1
		Safety: CSA C22.2 No 60950-1-07
FCC	USA	EMI: FCC Part 15, Subpart B, Class B
CE	Europe	In accordance with the council directive 2004/108/EC Adapter Standard: EN61204-3 EMI: EN 55022 EMS: EN 5502-4 ERP 5278/2009
CCC	China	Safety: GB-4946-2001 EMI: GB9254-2008 EMS: GB17625.1-2003
PSE	Japan	適用試験基準：電気用品の技術上の基準を定める省令の解釈 Applied Standard for Testing: Description of the technical requirements by the METI Ordinance. 別表第十二J 60950-1(h26), J55022(H22)
KC	KOREA	Safety: K-60950-1 EMI: K00022 EMS: 500024 KS C IEC 62310
K-MEPS		
GS	Germany	Safety: EN 60950-1
RCM	Australia/	Safety: SAA – AX/NZS 60950.1 EMI: C-TICK – AS/NZD CISPER22
R-MEPS	New Zealand	AS/NZS 4665.1:2005/Amd 1:2009 and AS/NZS 4665.2:2005/Amd 1:2009
BSMI	Taiwan	Safety: CNS14336-1 (99 年版) EMI: CNS13438 (95 年版)

