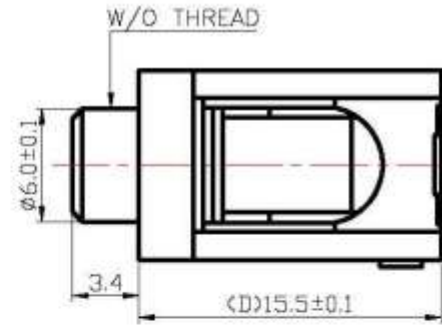
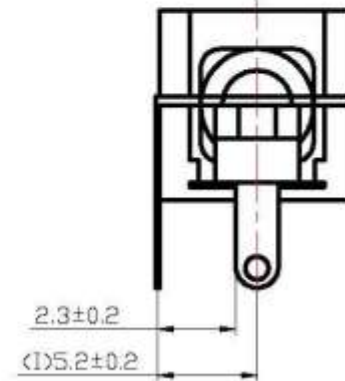
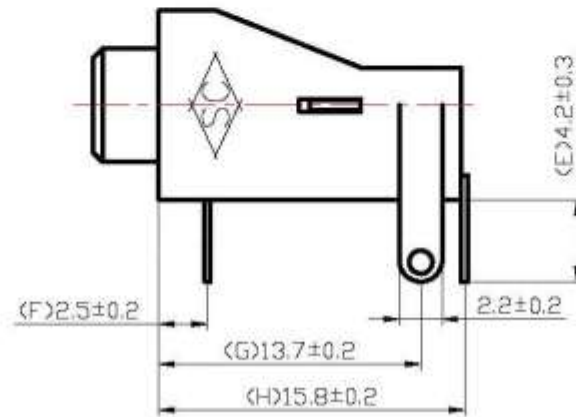
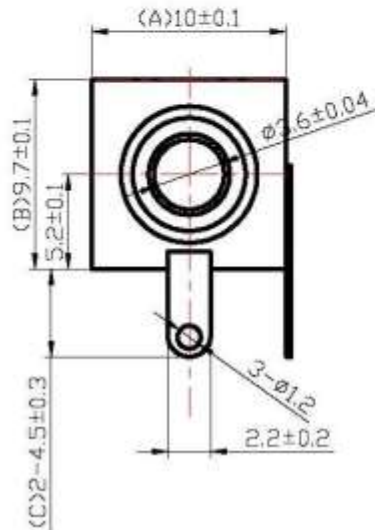


Pin Hole Layout
(Jack Bottom View)



Tolerance is
± .2MM
unless
otherwise
specified.



Contact Resistance: 30m max

Insulation Resistance: 100m min at 500V

Dielectric Withstand Voltage: AC 500V for one minute

Mating Receptacle Options for SJ-212	
1.	Any 2Ø2 Style Plug (3.5 x 14mm)

PART NO.	SJ-212
DATE	12.11.2014
APPROVAL	CB
UNIT	mm
REV	Ø

PART TITLE	DC 3.5mm Male Right Angle PC Mount Receptacle
-------------------	--



CONDOR ELECTRONICS, INC.
T: 408-745-7141 F: 408-745-0439
990 San Antonio Road
Palo Alto, CA 94303 USA
sales@condorelectronics.net