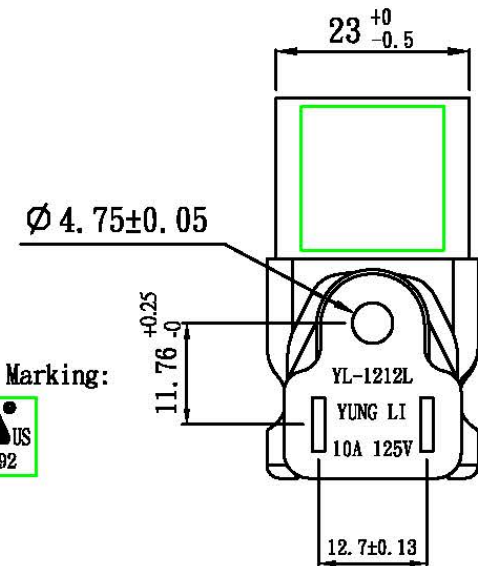


The Back Marking:



PART TITLE	Grounded North American IEC Plug Adapter (IEC-320-C13 to NEMA 5-15P)
-------------------	--

PART NO.	USG ADAPTER
DATE	09.26.2016
APPROVAL	TN
UNIT	mm
REV	0



CONDOR ELECTRONICS, INC.
 T: 408-745-7141 F: 408-745-0439
 990 San Antonio Road
 Palo Alto, CA 94303 USA
sales@condorelectronics.net